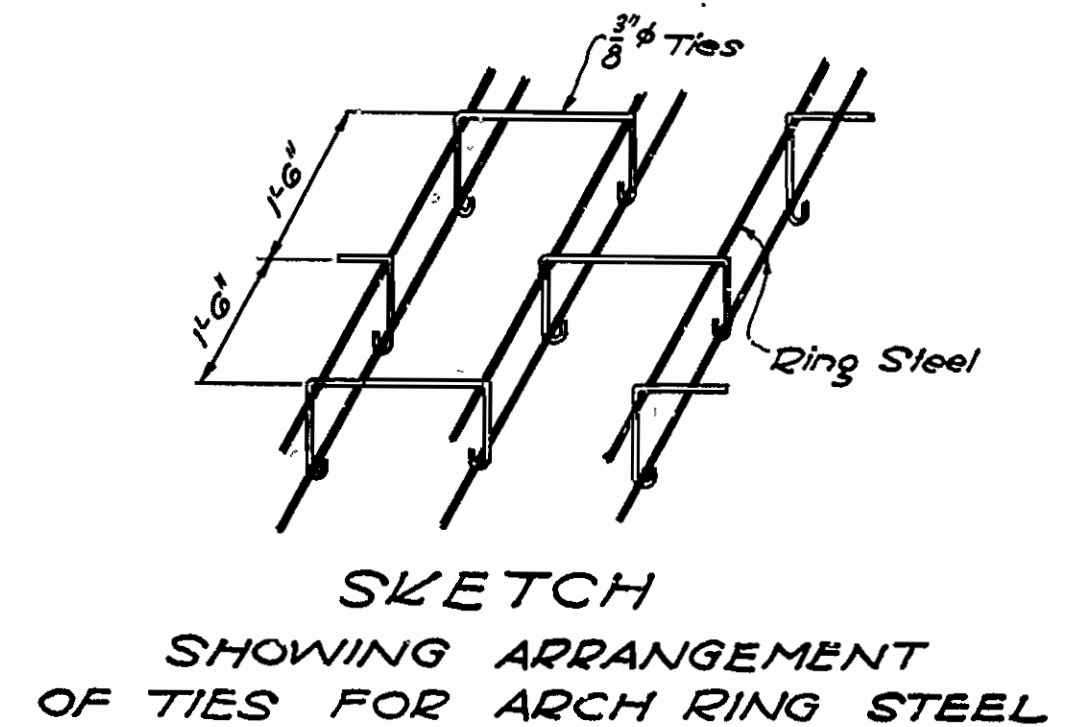
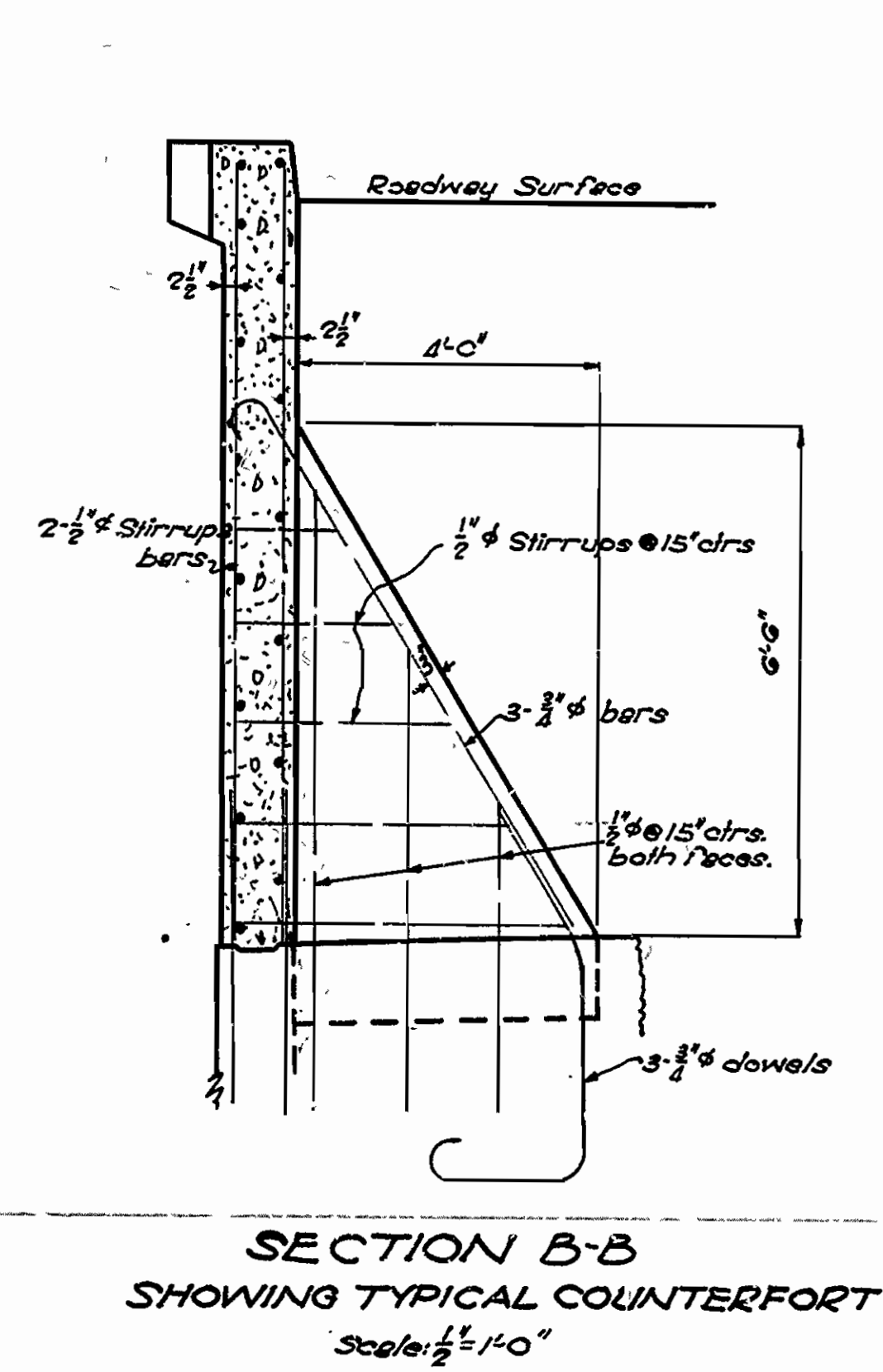
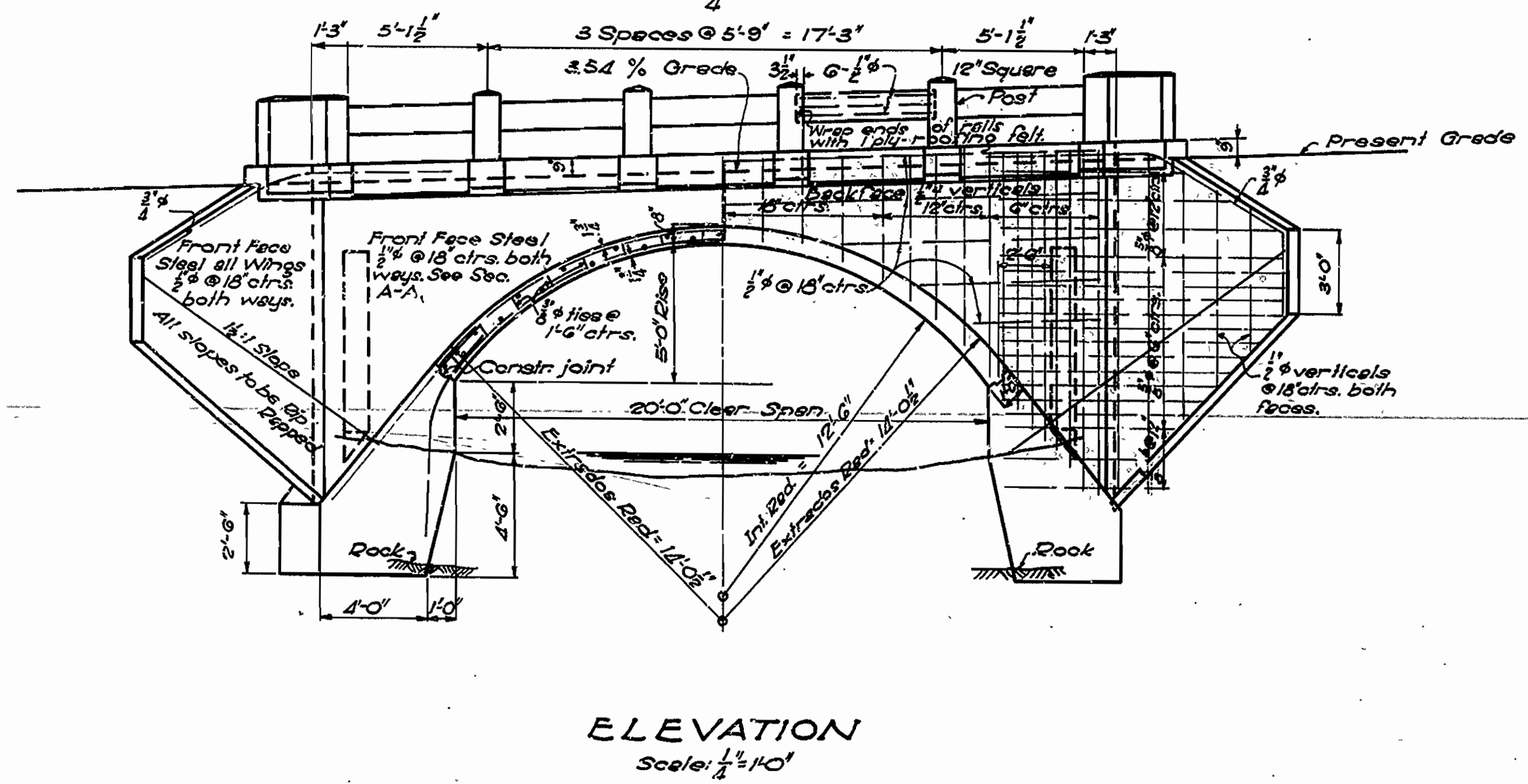
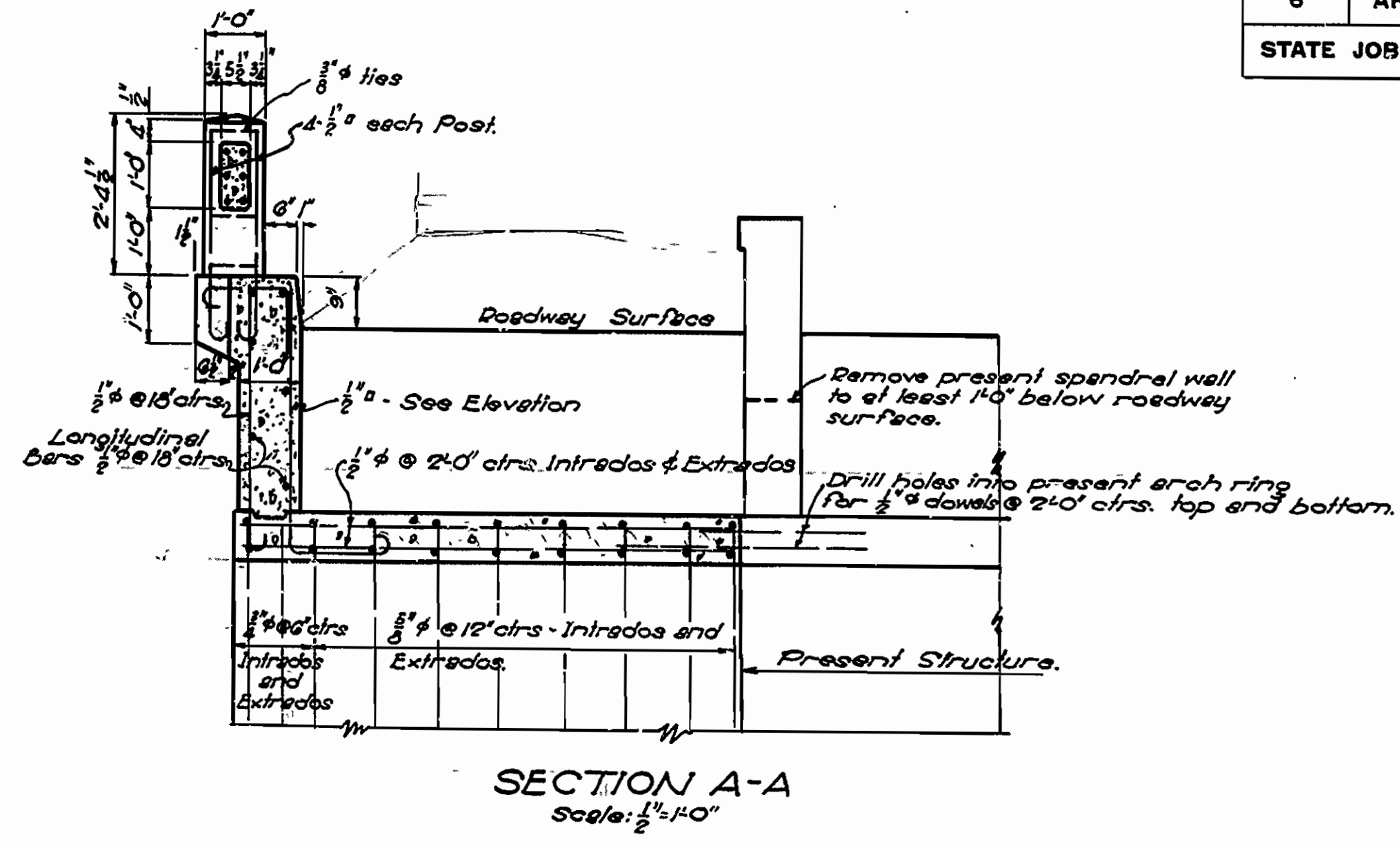
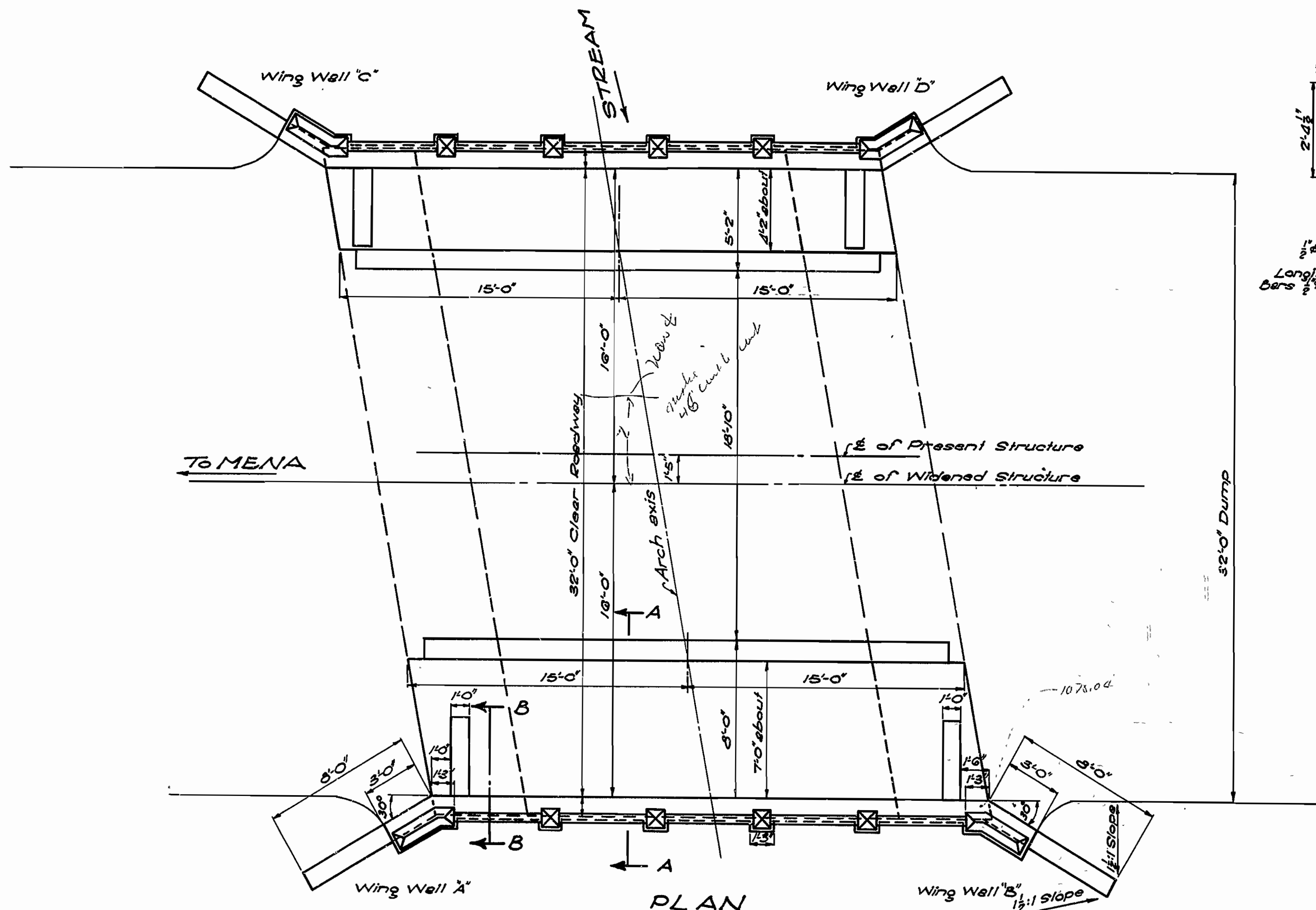


FED. ROAD DIST. NO.	STATE	PROJECT NO.	FISCAL YEAR	SHEET NO.	TOTAL SHEETS
6	ARK.				
STATE JOB NO.					



SPECIFICATIONS: Arkansas State Highway Commission Standard Specifications for Road and Bridge Construction, adopted June 30, 1936.

Note: All dimensions relating to reinforcing steel should be taken to center of bar. Bar list and bending diagrams must be submitted to the Bridge Engineers' office and approval secured before fabrication is begun.

QUANTITIES
 Concrete 45 c.y. (Approx.)
 Reinf. Steel 6750 Lbs.

N.A. Brown
 BRIDGE ENGINEER

DETAILS FOR PROPOSED WIDENING OF EXISTING ARCH SPAN AT MENA POLK COUNTY ROUTE 71 SEC. 10

ARKANSAS STATE HIGHWAY COMMISSION
 LITTLE ROCK, ARK.

Drawn By: *HB* Date: 5-27-37
 Traced By: *BD* Date: 6-2-37
 Checked By: _____ Date: _____

Scale: $\frac{1}{2}$ " = 1' as shown

BRIDGE NO. 1977 DRAWING NO. 4636